

Pallet Flow Rack Data Sheet

Customer: _____ Date: _____

Address: _____

Contact: _____ Email: _____

Phone: _____ Fax: _____ Cell: _____

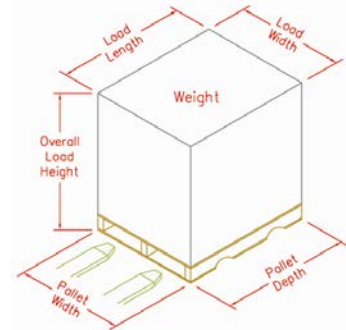
Drawings, Sketches and Pictures are better than words – when in doubt, sketch it out!

1) Load Size: Width: _____ Depth: _____ Height (including Pallet): _____

2) Pallet Size: _____" w x _____" d x _____"

3) Load Weight: _____ lbs.

Pallet and Load dimensions must be accurate!
 You ***must*** detail each load to be stored.
 If there are multiple sizes you must ascertain
 how many bays or pallet positions for each size are required.



4) Building Layout Drawing exists? Yes No AutoCAD

5) Building Column Size: ____ x ____ Shape: _____ Tapered?: _____ Wind Bracing?: _____

6) Building "Clear" to Height lowest obstruction: _____

7) Overall Bldg Dims: _____ x _____ Bldg Col. Grid: _____ x _____ Back Wall to Col.: _____

8) Left Wall to Column: _____ Right Wall to Column: _____ Dock Doors to Column: _____
 (looking from dock doors into bldg.)

9) Obstructions: _____
 (Heaters, Door Tracks, Motors, Electrical Panels, etc.)

10) Condition of Floor: _____ Curb?: _____

11) Lift Truck Type: Sit Down Stand Drive Reach Aisle Width: _____

12) Special Fork Truck Attachments?: _____

13) Overhead Guard Clear Dim: _____ Max Lift Height: _____

14) Floor Conc. Thickness: _____ Floor PSI Rating: _____ Soil Bearing: _____

15) Colors - Frame: _____ Arms/Beam: _____ Specifications or Chip available?

16) Customer Preference: Roll Formed? Structural?



- 17) Existing Rack: Yes No Roll Formed? Structural? Brand: _____
- 18) Existing Pallet Flow Brand?: _____
- 19) Number of Pallet Positions Deep?: _____
- 20) Charge Beam Elevations: _____
- 21) Discharge Beam Elevations: _____
- 22) Pallet Flow Arrangement: 2 Tracks?: _____ 3 Tracks?: _____
- 23) Pallet Flow Wheel Arrangement: Single? Double Staggered? Triple Staggered?
- 24) Pallet Flow Brakes: Qty.: _____ Direct or In-direct?
- 25) Frames Height: _____ Front Frame Depth: _____ Rear Frame Depth: _____
- 26) Row Spacer Length: _____
- 27) Describe Frame-Space Arrangement: _____
- 28) Column Protection: Backer Height: _____ Fork Deflector: _____

WAREHOUSE ACCESSORIES

- 29) Capacity Signs #: _____ Qty: _____
- 30) Mirrors - Size: _____ Shape: _____ Qty: _____
- 31) Barrier Rail - Height: _____ Length: _____ Qty: _____
(End of Row protection and Tunnels)
- 32) Column Sentry – Column Size and Shape: _____ Qty: _____

Installation

- 33) Installation Hours: _____ Nights Sat. Sun. Security Concerns?
- 34) Clear Work Area? _____ Work Area Near Dock Doors? _____
- 35) Drive Trailers Inside? Yes No Dock Ramp Available? Yes No

Permits and Seismic

- 32) Permit? Yes No Does customer want 1 Stop to handle Permit? Yes No
- 33) Seismic Calc? Yes No Stamped Dwg.? Yes No How Many: _____



MUNICIPALITY

34) Contact: _____ Phone: _____ Fax: _____

35) Address: _____ Email: _____

36) Plan Check Fee: \$ _____ Permit Cost Calculation: \$ _____

37) Fire Marshal: _____ Phone: _____ Fax: _____

38) Address: _____ Fee: \$ _____

Fire and Life Safety

39) Exit Locations: _____ Office Doors: _____

40) Sprinkler Head Clearance: _____ Main Sprinkler Feed Line Clearance: _____
(measure to pipe and add 5" for Head pointing up or deduct 5" for Head pointing down)

41) Sprinkler Riser Locations: _____ Test Valve Locations: _____

42) Info from plate on Sprinkler Riser: _____
(flow rate, GPM, note pipe sizes)

43) Draft Curtain Locations: _____ Skylight/Smoke Vent locations: _____

44) Misc. Observations, Details and Customer Comments:
